
J-1402

———— CONTENTS ————

FIG.1 JOB SEPARATOR 2

FIG. 1 JOB SEPARATOR

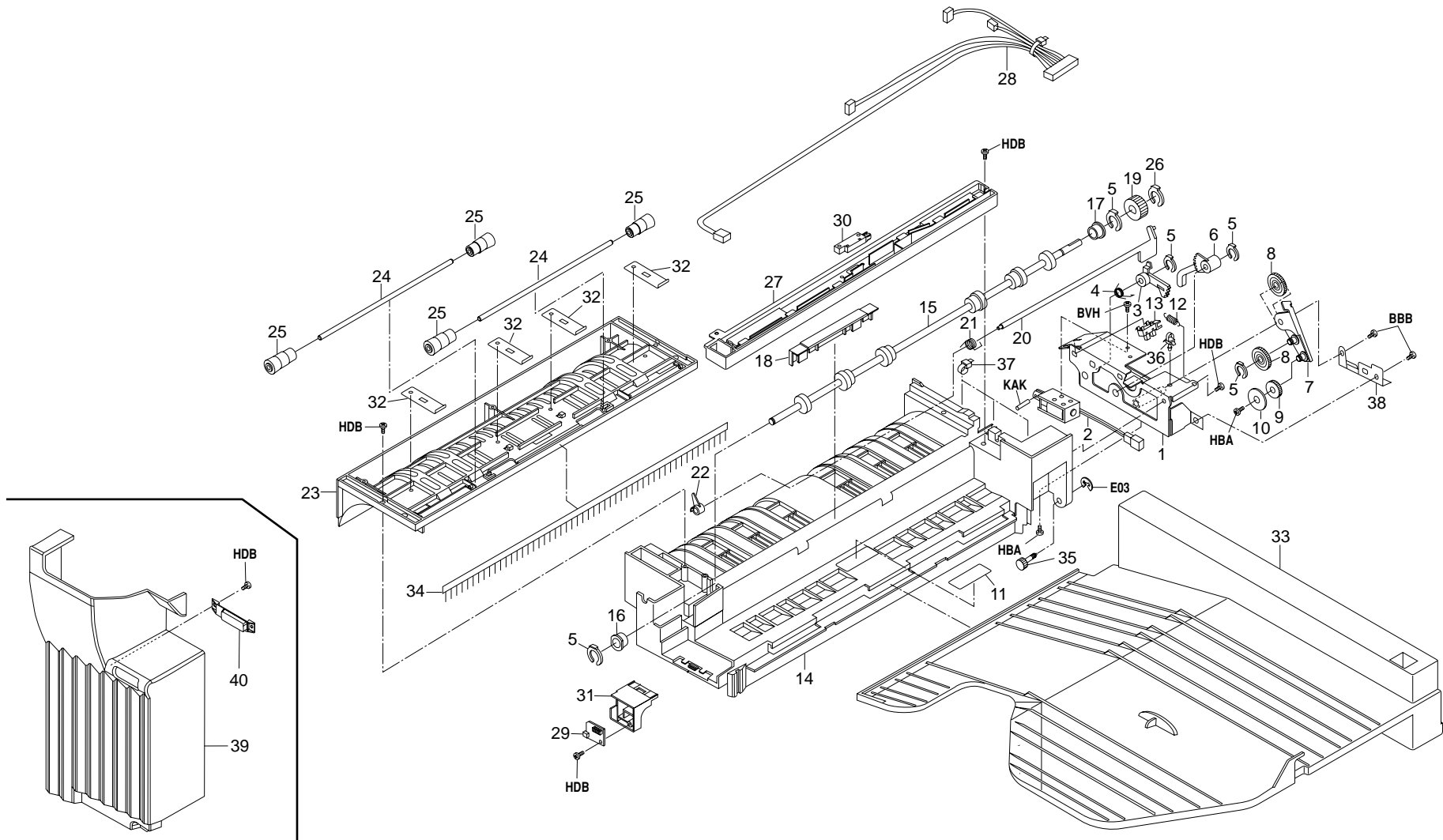


FIG. 1 JOB SEPARATOR

3B6

SP	Ref. No.	Part. No.	Description	Quantity		
				120V	230V	240V
●	1	3B622010	MOUNT,DRIVE	1	1	1
	2	3BN27050	SOLENOID,FEED SHIFT	1	1	1
●	3	3B616010	LEVER A,FEED SHIFT	1	1	1
	4	3B616030	SPRING,FEED SHIFT	1	1	1
●	5	34806150	STOPPER 5	5	5	5
	6	3B616020	LEVER B,FEED SHIFT	1	1	1
●	7	3B622030	MOUNT,JOINT	1	1	1
	8	35322190	GEAR 28,FIXING COUPLER	2	2	2
●	9	35322020	GEAR 20,PAPER FEED DRIVE	1	1	1
	10	3B622040	COLLAR 21	1	1	1
●	11	35911350	PAD,ADF PAPER FEED	1	1	1
	12	2AV18050	SPRING,BLADE	1	1	1
●	13	35327400	SWITCH,FEED	1	1	1
	14	3B616040	BASE,CONVEYING	1	1	1
●	15	3B620010	ROLLER,EJECT	1	1	1
	16	63806290	BUSHING,6	1	1	1
●	17	73210450	BUSH, 6	1	1	1
	18	3B616060	GUIDE,EJECT	1	1	1
●	19	19514160	GEAR,AGITATION	1	1	1
	20	3B616080	SHAFT,CONVEYING SW	1	1	1
●	21	3B616100	SPRING,ACTUATOR	1	1	1
	22	3B616070	ACTUATOR,CONVEYING SW	1	1	1
●	23	3B616050	GUIDE,CONVEYING	1	1	1
	24	3BN08440	SHAFT,FEED SHIFT PULLEY	2	2	2
●	25	3BN08100	PULLEY,BRANCH	4	4	4
	26	34806140	STOPPER 4	1	1	1
●	27	3B616090	MOUNT BASE,WIRE	1	1	1
	28	3B627010	WIRE,FEED SHIFT UNIT	1	1	1
●	29	3B628010	LED PCB	1	1	1
	30	66006360	PAPER SWITCH	1	1	1
●	31	3B626020	MOUNT,LED PCB	1	1	1
	32	3B620020	PLATE SPRING,EJECT PULLEY	4	4	4
●	33	3B620030	TRAY,EJECT	1	1	1
	34	65708280	STATIC ELIMINATOR,ORIGINAL CONVEYING	1	1	1
●	35	3B616110	PIN,UNIT RETAINING(M4)	1	1	1
	36	M2107120	BINDING BAND SG-130	1	1	1
●	37	M0207000	BINDING BAND,KB-100-1	3	3	3
	38	3B622050	RETAINER,JOINT	1	1	1
●	39	3B604010	LEFT FRONT COVER JS	1	1	1
	40	3B604020	COVER LED	1	1	1

• Parts with "●" indicates the Service parts.